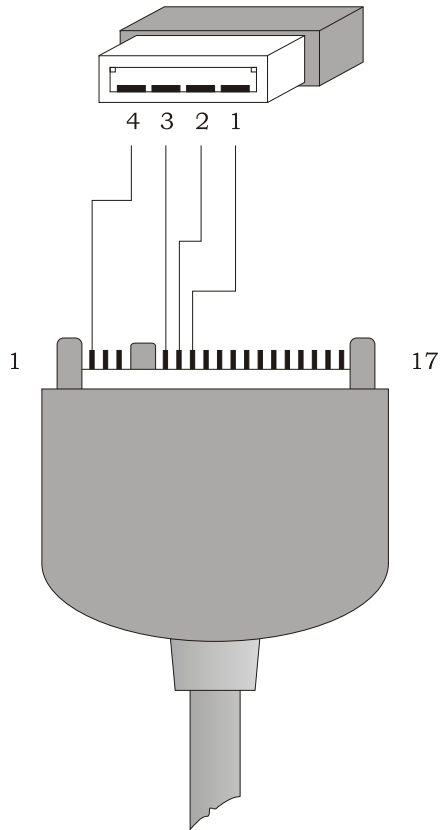


Motorola P2K to USB A standard cable

USB A

VCC (1)
D- (2)
D+ (3)
GND (4)



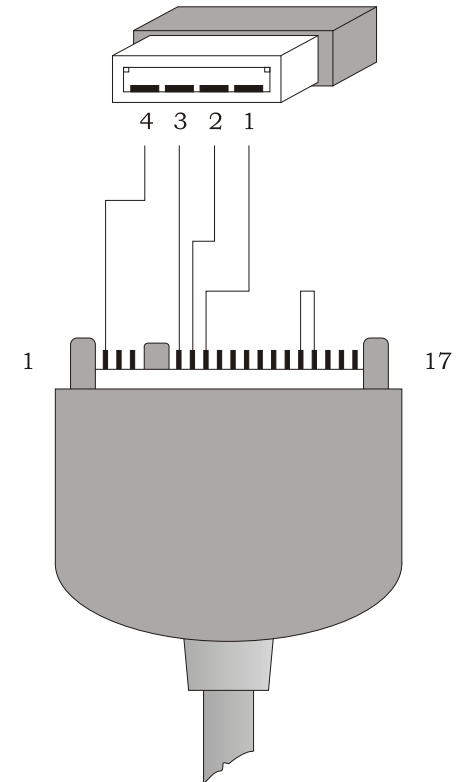
Motorola
P2K
Plug

Online instructions and other info can be found at
<http://www.smart-clip.com>

Motorola P2K to USB A cable (forced boot mode)

USB A

VCC (1)
D- (2)
D+ (3)
GND (4)



Motorola
P2K
Plug

** Shorted pins 13 and 14 force the phone to enter boot mode.
Remove battery, connect cable, insert battery, power the phone ON*

***This cable should be used only for reading/writing flash
on phones that won't turn on!***

Online instructions and other info can be found at
<http://www.smart-clip.com>